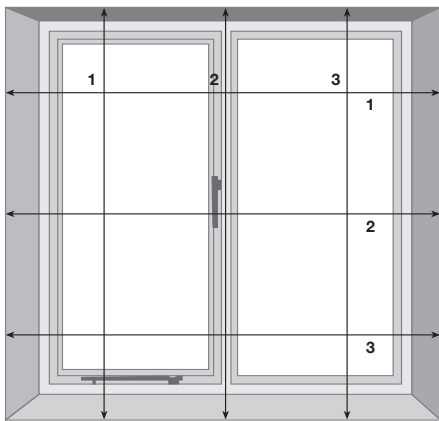


# venetian blinds

## measuring instructions

For accurate measurements please use a metal tape measure, and take measurements in centimetres, to the nearest 0.1cm.

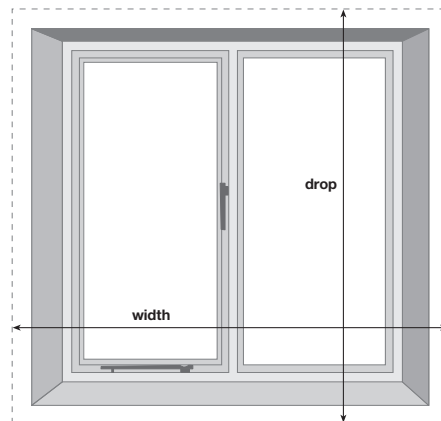
- All of our blinds can be fixed into the face of the window frame or wall, or into the top of the lintel - allowing you total control of the depth your blind can be positioned in the depth of your window recess.
- Choose whether you want the blinds to hang inside or outside the window recess.
- Please check for the proximity of adjacent walls, furniture, window handles etc. when measuring for your blinds.



**Recess**

### For blinds to hang inside the window recess:

Measure the drop by taking the measurement from the top of the recess to the window sill, in three places as shown. Measure the width of the window recess from wall to wall, in three places as shown. Take the smallest measurement. We will make all adjustments to ensure your blinds fit perfectly.



**Exact**

### For blinds to hang outside the window recess:

Measure the exact area you would like the blind to cover as shown.

## aftercare

Look after your blinds by following the straightforward operating instructions below.

### Operating

- The cord on the Venetian operates the height of the blind.
- The wand operates the angle of the slats.
- To raise the blind pull the cord down until the blind reaches your desired height.
- To lower the blind pull the cord across the face of the blind to release the cordlock and let cord slide through your fingers.
- To adjust the angle of the slats twist wand until they are at the desired angle.
- When raising or lowering the blind slats should be in the open position.
- **Please note:** Venetians do not close totally - it is the nature of the product.

### Cleaning

- Your Venetians simply need to be dusted.
- Use a dry duster, a damp cloth or vacuum cleaner with wall-cleaning attachment.
- Care should be taken not to bend slats while cleaning.
- If your blind becomes very dirty wash it with soap and water.

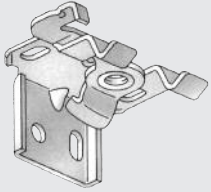
Your local supplier:

# venetian blinds

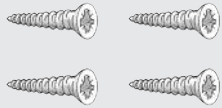
## fitting instructions

### fittings

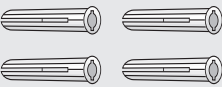
- 1** Brackets: quantity to suit length of blind



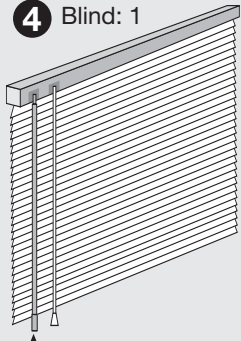
- 2** Screws: min 4



- 3** Rawl plugs: min 4



- 4** Blind: 1



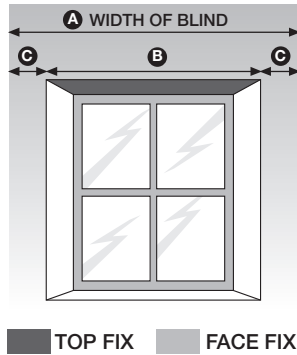
Detachable wand control (15mm/25mm/35mm)

### Outside Recess

If fitting the blind outside the window, measurements **(C)** will need to be the same. To work out **(C)**, simply minus **(B)** from **(A)** and divide the answer by two. Follow instructions for FACE FIXING

### Inside Recess

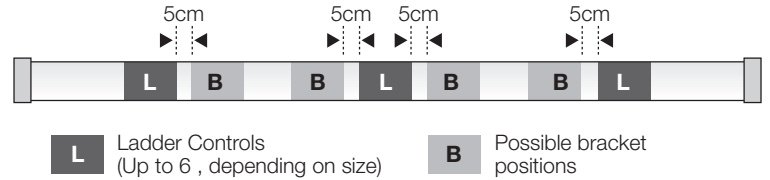
Decide whether to FACE or TOP FIX. FACE FIX to fit the bracket to the window frame. TOP FIX to the lintel if the window frame is uPVC, or if there are any obstructions, e.g. window handles.



### step one

Place blind in fitting position and tilt forward to show ladder controls. When fitting the brackets, you will need to leave at least 5cm either side of controls.

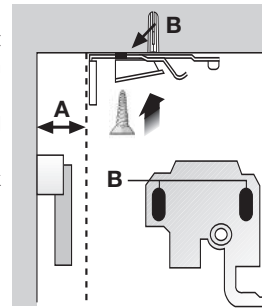
View from above



### step two

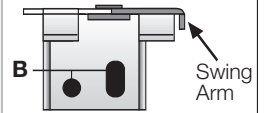
### Top Fixing

Measure the distance that any handles protrude from the frame, **A**. Mark this measurement on the lintel and use it to position the back of the bracket. Mark the position of holes **B** and screw bracket to lintel using screws and rawl plugs supplied.



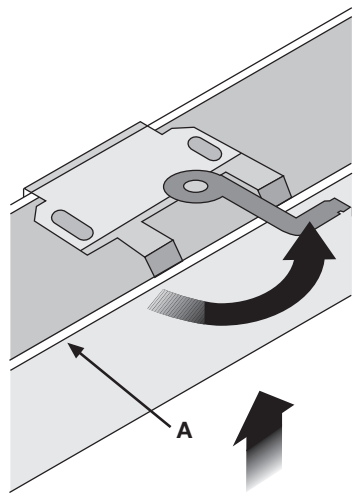
### Face Fixing

Position bracket with swing arm facing towards you, and mark holes **B**. Screw bracket in place. Use rawl plugs if fitting to the wall.



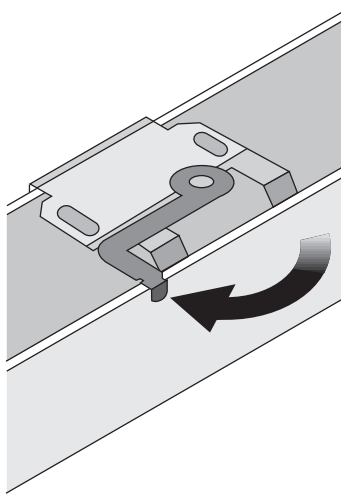
### step three

Push swing arm anti-clockwise as far as it will go. Now clip the blind over the bracket, first easing the front lip of the headrail **A** in to place.



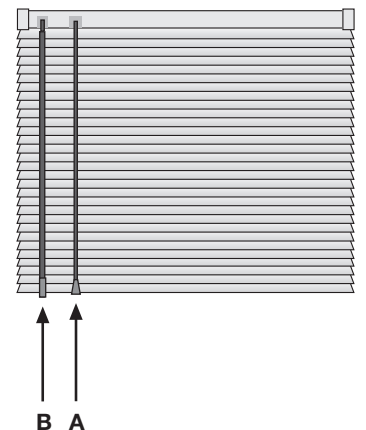
### step four

Push swing arm clockwise until it locks in to place, firmly holding the blind headrail.



### step five

Use cord control **A** to raise and lower the blind. The wand control **B** turns to adjust the slat angle\*.



\*On 50mm blinds slat angle is adjusted by cord control.

### step six

### WARNING

IN THE INTEREST OF SAFETY, IT IS ADVISABLE TO KEEP ALL PULL CORDS AND CHAIN/BEAD CORDS OUT OF THE REACH OF CHILDREN.